













# BS608H



## CAMERA MINI DOME JOUR ET NUIT

BS 608H

- |  |  |
|--|--|
|  1/3" SONY interlire CCD  |  Auto/Off Gain control function                     |
|  480 TVL resolution   |  DC/Video Auto Iris driver                          |
|  C/CS lens mount  |  On /Off Back light Control System                  |
|  0.5 LUX under Color mode   |  Color (day) to B/W (night) Auto switch (Optionnel) |
|  PAL/NTSC Signal mode  |  Antivandal Shell                                  |
|  600 TVL 0.05 LUX Illumination under B/W mode(D/N function available) |  Infrared sensorable function (optional)          |

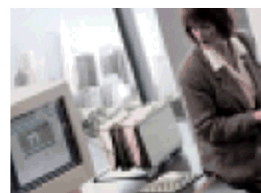
|                                |                               |
|--------------------------------|-------------------------------|
| <b>Description :</b>           |                               |
| <b>Image device:</b>           | 1/3" SONY interlire CCD       |
| <b>Number of pixels:</b>       | PAL712 (H) X 582 (V)          |
| <b>Scanning System:</b>        | PAL625LinesW, 50 Field/sec    |
| <b>Sync System :</b>           | Inter line Synchronisation    |
| <b>Horizontal Resolution :</b> | 480 TVLines                   |
| <b>Number of leds IR</b>       | 14 leds IR                    |
| <b>Video output :</b>          | 1Vp-p 75Ω, Negative           |
| <b>S /N Radio :</b>            | More Than 48dB(AGC OFF)       |
| <b>Gamma Characteristic :</b>  | 0,45                          |
| <b>White Balance:</b>          | Auto White Balance(AWB)       |
| <b>B.L.C:</b>                  | Back Light Compensation(Auto) |
| <b>Minimum Illumination:</b>   | 0.5 Lux/F1.2                  |
| <b>Electronic Shutter:</b>     | PAL:1/50~1/100,000Sec         |
| <b>Lens Mount :</b>            | C/CS Mount Lens               |
| <b>IRIS Control:</b>           | Video/DC IRIS                 |
| <b>Power Consumption:</b>      | DC12V AC220V AC24VX50MA       |
| <b>Operation Temperature:</b>  | -10°C~+50°CRH95%Max           |
| <b>Storage Temperature:</b>    | -20°C~+60°CRH95%Max           |
| <b>Weight:</b>                 | Approx 150g                   |
| <b>Housing :</b>               | Aluminum                      |
| <b>Dimension:</b>              | (W) 50 X (L) 50 X(H) 50 mm    |
|                                | (W) 50 X (L) 100 X(H) 48 mm   |

### **Backlight Compensation:**

The backlight compensation technology allows the camera to find the best picture conditions in any environment and automatically gives a necessary light level compensation, so that you can always obtain the clear picture, the finest detail and perfect light contrast.



Normal



BLC