

DIR-100N



420 TVL, 1/3" SONY SUPER HAD IT CCD

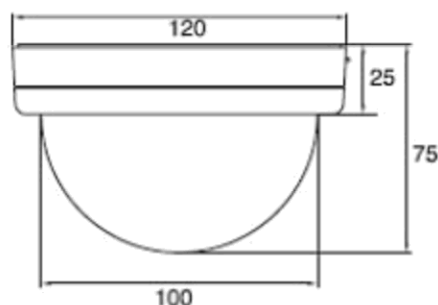
Features

- 1/3" SONY SUPER HAD IT CCD
- Digital Signal processing(DSP) allows better picture quality
- Minimum illumination responses down to 1.0Lux for color and under 0.1Lux for infrared Lighting
- 480TV Line of horizontal resolution crystal clear image [DIR-100H]
- 330TV Line of horizontal resolution crystal clear image [DIR-100N]
- Backlight Compensation
- Cds Auto switching infrared LED

Specifications

Image Sensor		1/3" SONY SUPER HAD IT CCD	
Signal System		NTSC	PAL
Total Pixels	DIR-100H	811(H) x 508(V)	795(H) x 596(V)
	DIR-100N	537(H) x 505(V)	537(H) x 597(V)
Effective Pixels	DIR-100H	768(H) x 494(V)	752(H) x 582(V)
	DIR-100N	510(H) x 429(V)	500(H) x 582(V)
Scanning System		2:1 Interlace 525 Lines	2:1 Interlace 625 Lines
Scanning Frequency		15,734KHz(H) / 60Hz(V)	15,625KHz(H) / 50Hz(V)
Sync. Mode		Internal	
Resolution		480TV-Lines [DIR-100H] / 330TV-Lines [DIR-100N]	
Video Output		VBS 1.0Vp-p Composite / 75Ω / BNC CONNECTOR	
S/N Ratio		More than 50dB(AGC OFF)	
Min. Illumination		Under 0.000Lux for infrared lighting condition	
Range of Visibility		10 Units infrared LED: 10m (Max.)	
Gamma		γ=0.45	
White Balance		Auto	
Lens		F1.8, f= 6mm (f=4mm option)	
Shutter Speed		1/60 ~ 1/100,000sec	1/50 ~ 1/100,000sec
Operation Tem.		14°F ~ 122°F (-10°C ~ 50°C)	
Power	DIR-100H	DC12V±10%, 2watts [3.5watts with IR LED]	
	DIR-100N	DC12V±10%, 1.4watts [3watts with IR LED]	
Dimension(mm)		φ100 x 75mm	
Weight		approx. 360g	

Dimension



CAUTION: Please Use Regulated 12V DC Power Supply.

